

**DUX MODEL DT-12 DUMP TRUCK  
S/N 1066**

**ENGINE: DEUTZ BF4M1013C S/N: 10224935  
TRANSMISSION: CLARK-HURTH 24000 SERIES  
S/N: 10224935  
AXLES: CLARK-HURTH 176-244  
S/N: FRONT: GITA798241  
S/N REAR: HITA764824**



**MINING EQUIPMENT**

**DUX MACHINERY CORPORATION**  
615, Lavoisier  
Repentigny (Montréal)  
Québec, Canada, J6A 7N2  
Tel.: (450) 581-8341 / Fax : (450) 581-5138  
Web site: [www.duxmachinery.com](http://www.duxmachinery.com)



## INTRODUCTION

<b>DUX TRUCK MODEL:</b>	<b>DT-12 DUMP TRUCK</b> <b>S/N: 1066</b>
<b>ENGINE:</b>	<b>DEUTZ BF4M1013C</b> <b>S/N: 10224935</b>
<b>TRANSMISSION:</b>	<b>CLARK-HURTH 24000 SERIES</b> <b>S/N: HBEA239087</b>
<b>AXLES:</b>	<b>CLARK-HURTH 176-244</b> <b>S/N: FRONT: GITA798241 REAR: HITA764824</b>

This Parts and Instruction Manual is to provide you with sufficient information to operate your **DUX** vehicle as well as to carry out all necessary maintenance. Before placing the unit in service, all operators and persons working around the unit must thoroughly read and understand the contents of the manual pertaining to **SAFETY, OPERATION and MAINTENANCE.**

This Parts and Instruction Manual is arranged in sections. These sections contain safety, operating and maintenance instructions for the **DUX DT-12 DUMP TRUCK**, as well as parts information for various assemblies and systems. Each section has been designated a letter and can be easily accessed using the dividers that are alphabetically labeled.

Information contained in each section is outlined in the Table of Contents.

This manual must be retained with the machine for use by subsequent operating personnel.

**! DANGER!**

**FAILURE TO OBSERVE ALL OF THE INSTRUCTIONS CONTAINED IN THIS MANUAL WILL RESULT IN DEATH OR SERIOUS INJURY TO THE OPERATOR OR BYSTANDERS OR DAMAGE THE EQUIPMENT. AN UNTRAINED OPERATOR SUBJECTS HIMSELF AND OTHERS TO DEATH OR SERIOUS INJURY. YOU MUST NOT OPERATE THIS UNIT UNLESS: 1) YOU HAVE BEEN TRAINED IN THE SAFE OPERATION OF THIS UNIT.**

**2) YOU READ, UNDERSTAND AND FOLLOW THE SAFETY AND OPERATING RECOMMENDATIONS CONTAINED IN THE MANUFACTURER'S MANUALS, YOUR EMPLOYER'S WORK RULES AND APPLICABLE GOVERNMENT REGULATIONS. 3) YOU ARE SURE THAT ALL SAFETY SIGNS, GUARDS AND OTHER SAFETY FEATURES ARE IN PLACE AND IN PROPER CONDITION.**

## ORDERING INSTRUCTIONS

The following information has been included to ensure that orders for spare parts are correctly and efficiently processed:

**Be sure to always specify the following when ordering parts:**

- 1. The vehicle model.**
- 2. The vehicle serial number.**
- 3. The quantity of each part desired.**
- 4. The part number.**
- 5. The part description.**

To sum up, an order for spare parts should always appear as below:  
"Please supply the following spare parts for the **DUX DT-12 Dump Truck**  
Quantity, P/N, & Description."

**Always include your complete address and please specify how the parts are to be shipped.**



## INTRODUCTION

DUX TRUCK MODEL: DT-12 DUMP TRUCKS	S/N: 1081	S/N: 1082
ENGINE: DEUTZ BF4M1013C	S/N: 10377574	S/N: 10377575
TRANSMISSION: CLARK-HURTH 24000 SERIES	S/N: JBEA269931	S/N: JBEA269932
AXLES: CLARK-HURTH 176-244 SERIES FRONT:	S/N: IITA717215	S/N: HITA785427
AXLES: CLARK-HURTH 176-244 SERIES REAR:	S/N: HITA808484	S/N: HITA705430

This Parts and Instruction Manual is to provide you with sufficient information to operate your DUX vehicle as well as to carry out all necessary maintenance. Before placing the unit in service, all operators and persons working around the unit must thoroughly read and understand the contents of the manual pertaining to **SAFETY, OPERATION and MAINTENANCE**.

This Parts and Instruction Manual is arranged in sections. These sections contain safety, operating and maintenance instructions for the DUX DT-12 DUMP TRUCKS, as well as parts information for various assemblies and systems. Each section has been designated a letter and can be easily accessed using the dividers that are alphabetically labeled.

Information contained in each section is outlined in the Table of Contents.

This manual must be retained with the machine for use by subsequent operating personnel.

**!DANGER!**

FAILURE TO OBSERVE ALL OF THE INSTRUCTIONS CONTAINED IN THIS MANUAL WILL RESULT IN DEATH OR SERIOUS INJURY TO THE OPERATOR OR BYSTANDERS OR DAMAGE THE EQUIPMENT. AN UNTRAINED OPERATOR SUBJECTS HIMSELF AND OTHERS TO DEATH OR SERIOUS INJURY. YOU MUST NOT OPERATE THIS UNIT UNLESS:

- 1) YOU HAVE BEEN TRAINED IN THE SAFE OPERATION OF THIS UNIT.
- 2) YOU READ, UNDERSTAND AND FOLLOW THE SAFETY AND OPERATING RECOMMENDATIONS CONTAINED IN THE MANUFACTURER'S MANUALS, YOUR EMPLOYER'S WORK RULES AND APPLICABLE GOVERNMENT REGULATIONS.
- 3) YOU ARE SURE THAT ALL SAFETY SIGNS, GUARDS AND OTHER SAFETY FEATURES ARE IN PLACE AND IN PROPER CONDITION.

### ORDERING INSTRUCTIONS

The following information has been included to ensure that orders for spare parts are correctly and efficiently processed: Be sure to always specify the following when ordering parts:

1. The vehicle model.
2. The vehicle serial number.
3. The quantity of each part desired.
4. The part number.
5. The part description.

To sum up, an order for spare parts should always appear as below:

"Please supply the following spare parts for the DUX DT-12 DUMP TRUCK S/N 1081 AND/OR 1082; Quantity, P/N, & Description."

Always include your complete address and please specify how the parts are to be shipped.



## INTRODUCTION

<b>DUX TRUCK MODEL: DT-12 DUMP TRUCKS</b>	<b>S/N: 1092</b>	<b>S/N: 1093</b>
<b>ENGINE: DEUTZ BF4M1013C</b>	<b>S/N: 10372214</b>	<b>S/N: 10505072</b>
<b>TRANSMISSION: CLARK-HURTH 24000 SERIES</b>	<b>S/N: JBEA285528</b>	<b>S/N: JBEA269932</b>
<b>AXLES: CLARK-HURTH 176-244 SERIES FRONT:</b>	<b>S/N: IITA717212</b>	<b>S/N: IITA717216</b>
<b>AXLES: CLARK-HURTH 176-244 SERIES REAR:</b>	<b>S/N: IITA760751</b>	<b>S/N: IITA760752</b>

This Parts and Instruction Manual is to provide you with sufficient information to operate your DUX vehicle as well as to carry out all necessary maintenance. Before placing the unit in service, all operators and persons working around the unit must thoroughly read and understand the contents of the manual pertaining to **SAFETY, OPERATION** and **MAINTENANCE**.

This Parts and Instruction Manual is arranged in sections. These sections contain safety, operating and maintenance instructions for the **DUX DT-12 DUMP TRUCKS**, as well as parts information for various assemblies and systems. Each section has been designated a letter and can be easily accessed using the dividers that are alphabetically labeled.

Information contained in each section is outlined in the Table of Contents.

This manual must be retained with the machine for use by subsequent operating personnel.

**!DANGER!**

**FAILURE TO OBSERVE ALL OF THE INSTRUCTIONS CONTAINED IN THIS MANUAL WILL RESULT IN DEATH OR SERIOUS INJURY TO THE OPERATOR OR BYSTANDERS OR DAMAGE THE EQUIPMENT. AN UNTRAINED OPERATOR SUBJECTS HIMSELF AND OTHERS TO DEATH OR SERIOUS INJURY. YOU MUST NOT OPERATE THIS UNIT UNLESS:**

- 1) YOU HAVE BEEN TRAINED IN THE SAFE OPERATION OF THIS UNIT.
- 2) YOU READ, UNDERSTAND AND FOLLOW THE SAFETY AND OPERATING RECOMMENDATIONS CONTAINED IN THE MANUFACTURER'S MANUALS, YOUR EMPLOYER'S WORK RULES AND APPLICABLE GOVERNMENT REGULATIONS.
- 3) YOU ARE SURE THAT ALL SAFETY SIGNS, GUARDS AND OTHER SAFETY FEATURES ARE IN PLACE AND IN PROPER CONDITION.

### ORDERING INSTRUCTIONS

The following information has been included to ensure that orders for spare parts are correctly and efficiently processed:  
**Be sure to always specify the following when ordering parts:**

1. The vehicle model.
2. The vehicle serial number.
3. The quantity of each part desired.
4. The part number.
5. The part description.

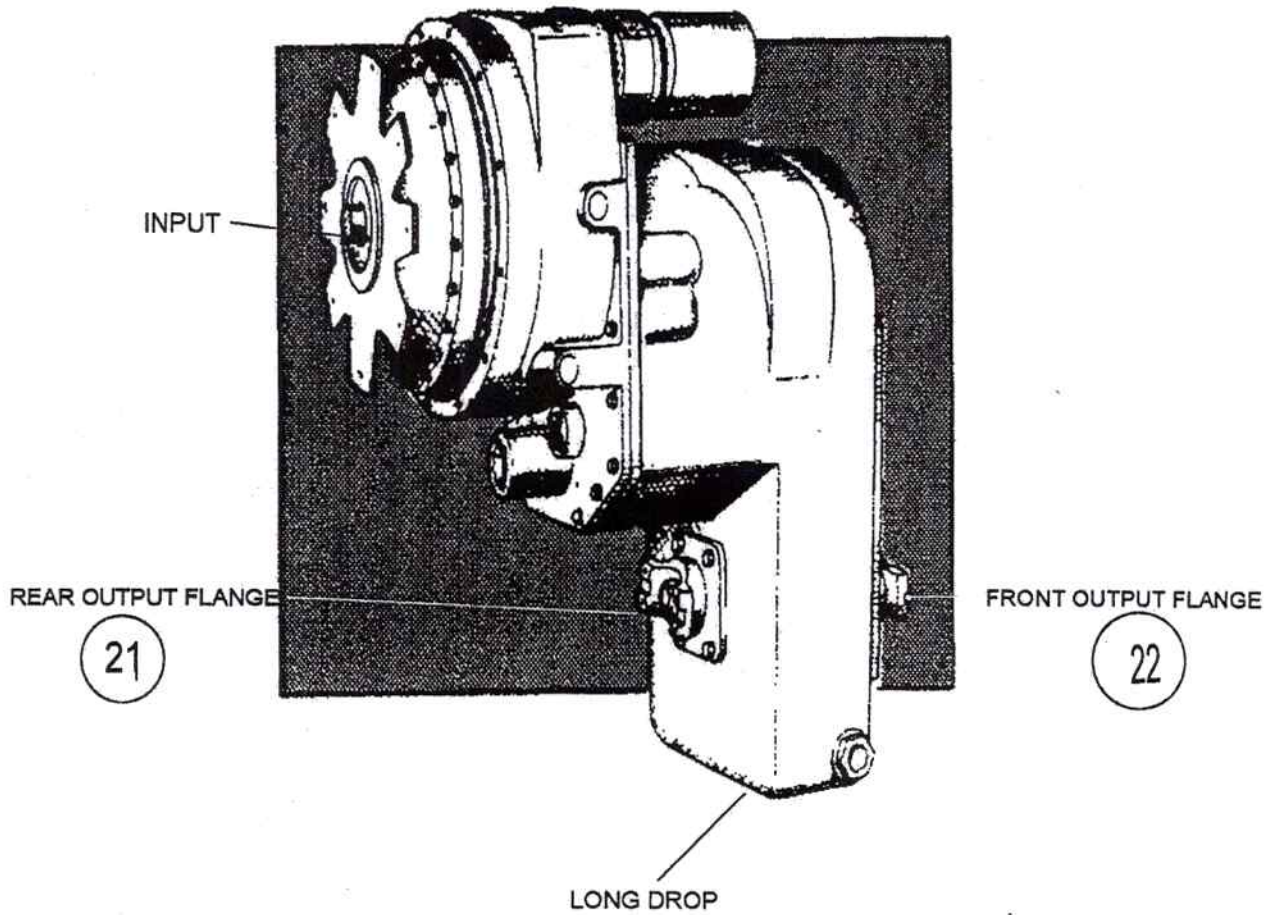
To sum up, an order for spare parts should always appear as below:

"Please supply the following spare parts for the **DUX DT-12 DUMP TRUCK S/N 1092 AND/OR 1093**; Quantity, P/N, & Description."

**Always include your complete address and please specify how the parts are to be shipped.**



4437 POWERSHIFT TRANSMISSION HR-24000 LONG DROP  
WITH INTEGRATED TORQUE CONVERTER



ITEMS 1 TO 20 NOT SHOWN - SEE PARTS LISTS



**4437 POWERSHIFT TRANSMISSION HR-24000 LONG DROP  
WITH INTEGRATED TORQUE CONVERTER**

Part No.	Rem.	Qty.	Description
4437-1	X	1	CONVERTER HOUSING ASSY
4437-2	X	1	TRANSMISSION CASE & COVER ASS'Y
4437-3	X	1	TURBINE SHAFT STATOR SUPPORT ASSY
2862-4	X	1	DRIVE PLATE ASSY
4437-5	X	1	TORQUE CONVERTER ASSY
4437-6	X	1	GEAR ASSY
4437-7	X	1	AUXILIARY PUMP DRIVE ASSY
4437-8	X	1	CHARGING PUMP DRIVE ASSY
4437-9	X	1	FORWARD SHAFT ASSY
4437-10	X	1	REVERSE IDLER ASSY
4437-11	X	1	REVERSE & 2ND SHAFT ASSY
4437-12	X	1	LOW SPEED SHAFT ASSY
4437-13	X	1	3RD SHAFT CLUTCH ASSY
4437-14	X	1	IDLER SHAFT ASSY
4437-15	X	1	OUTPUT SHAFT ASSY
4437-16	X	1	CHARGING PUMP & FILTER ASSY
4437-17	X	1	CONTROL VALVE ASSY
4437-18	X	1	CONTROL VALVE HOUSING ASSY
4437SK	X	1	TRANSMISSION SECTION SEALING KIT
4437-1SK	X	1	CONVERTER SECTION SEALING KIT
2803-13-36		1	OUTPUT FLANGE - REAR
2803-13-36		1	OUTPUT FLANGE - FRONT

X=SEE FOLLOWING PARTS LISTS

