

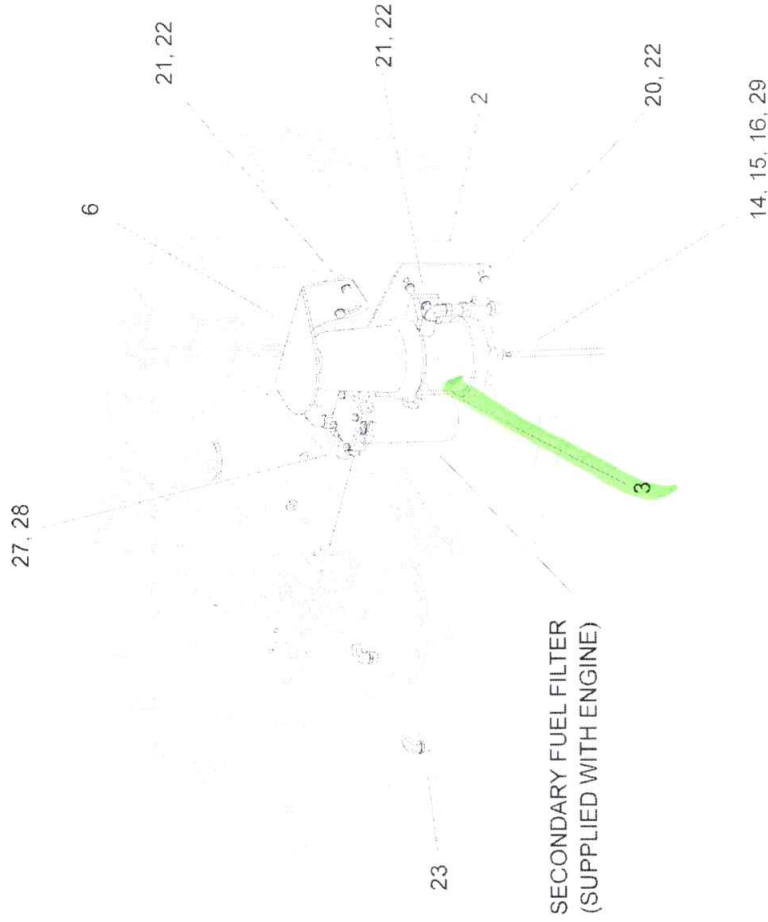
Spare parts catalog



Generated from DocMine



SIST.-COMBUSTIB - FILTER INSTALLATION



SECONDARY FUEL FILTER
(SUPPLIED WITH ENGINE)

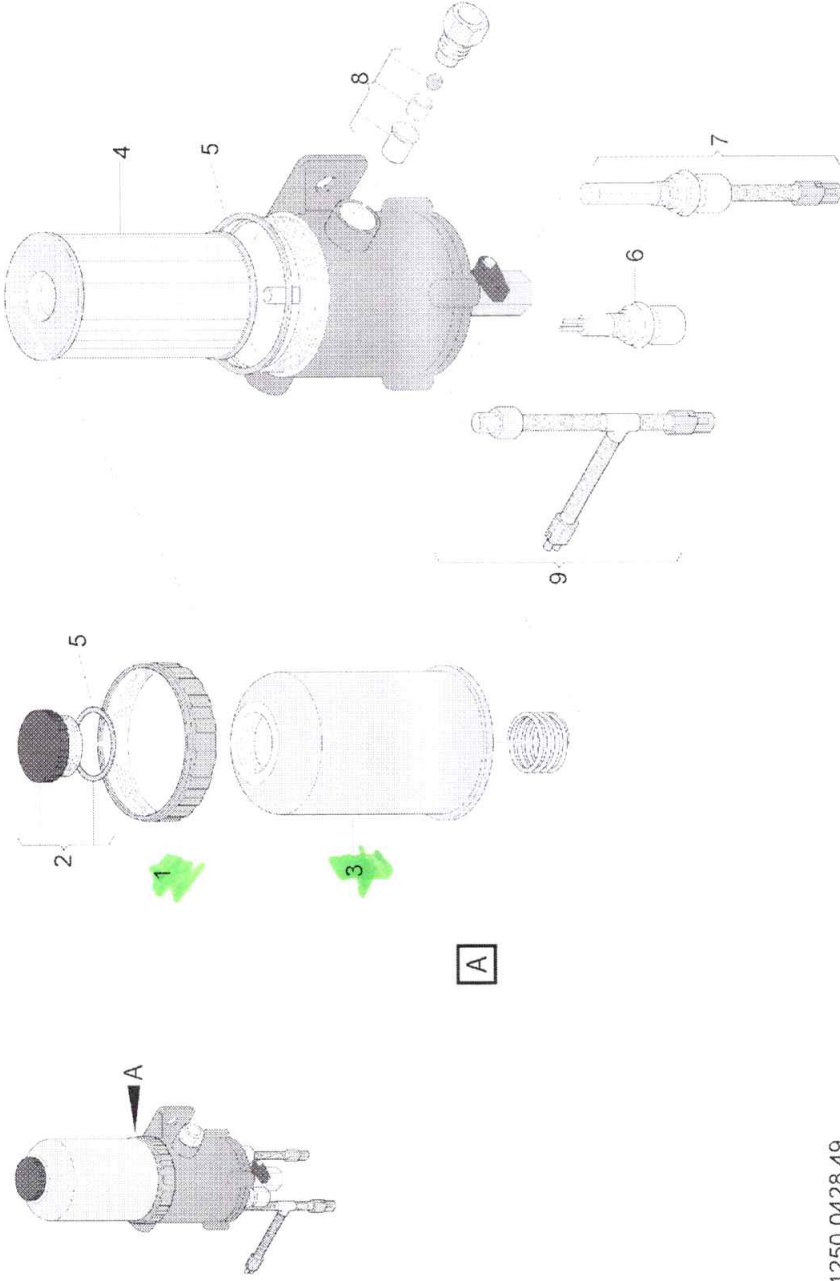
17, 18, 19

5

Elemento	N.º de pieza	Nombre	Cant.	Remarks	L	PageL ink
COMPLETE_ASSEMBLY	-	SIST.-COMBUSTIB	1	FILTER INSTALLATION		
1	-	JUEGO DE MANGU.	1	POS 101-106		
2	5580025687	CHAPA	1			
3	5580007866	FILTRO COMPL	1	FUEL FILTER W/ HEATER		
5	3222311521	BOMBA DE MANO	1			
6	5580101745	PROTECTOR	1			
7	0570702535	BOQUILLA	1	A 8 10 5/16 3/8 UNF 11/16		
8	8202030303	VALVULA DE BOLA	1	BAL 15-G1/2		
9	5500757800	BOQUILLA	1	ELBOW-90 (ORS/PIPE)		
10	5500216900	BOQUILLA	1	ELBOW-90 (ORS/PIPE)		
11	0570705701	BOQUILLA REDUCT	2	B 12 - 1/2 - UNF 11/16-16		
12	0570702549	*	1	D1 ? ? UN 13/16-16 M 18X1		
13	0570704158	BOQUILLA CODO	1	D1 12 - 1/2 - UNF 13/16-1		
14	345045705	CASQUILLO	1	A NPTF 1/2-14 - NPTF 1/4-		
15	5580000937	MANGUERA	1	HOSE-BULK		
16	5536385800	ABRAZADERA	1	CLAMP-WORM GEAR (1/4 TO 5/8)		
17	0147125403	Screw	2	M 6 X 50 - 8.8 FZB		
18	0301232100	ARANDELA REDOND	4	6,4 / 12 X 1,6 -HB200 FZB		
19	0291112815	TUERCA DE APRI.	2	M6 - 8 FZB / ISO 7040		
20	0147136703	TORN.-CAB.-HEXA	3	M 10 X 50 - 8.8 FZB		
21	0147136303	TORN.-CAB.-HEXA	4	M 10 X 30 - 8.8 FZB		
22	0301234400	ARANDELA REDOND	7	10,5 / 20 X 2 -HB 200 FZB		
23	0570704116	BOQUILLA CODO	2	B1 8 10 UNF 17,46 11/16 1, B1 8 10 UNF 17,46 11/16 1		
24	0570704162	BOQUILLA CODO	2	C1 8 - 3/8 - UNF 11/16-16		
25	0570702557	BOQUILLA	4	C 8 10 5/16 3/8 UNF 11/16		

Refer to the DocMine web page for most up-to-date information. The Printed information might be outdated.

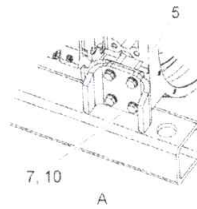
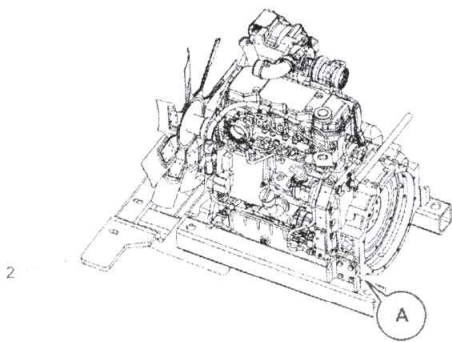
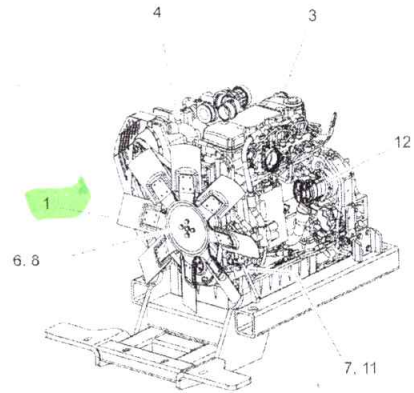
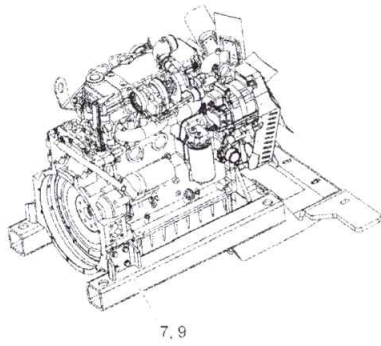
SIST.-COMBUSTIB - FILTER INSTALLATION



1250 0428 49

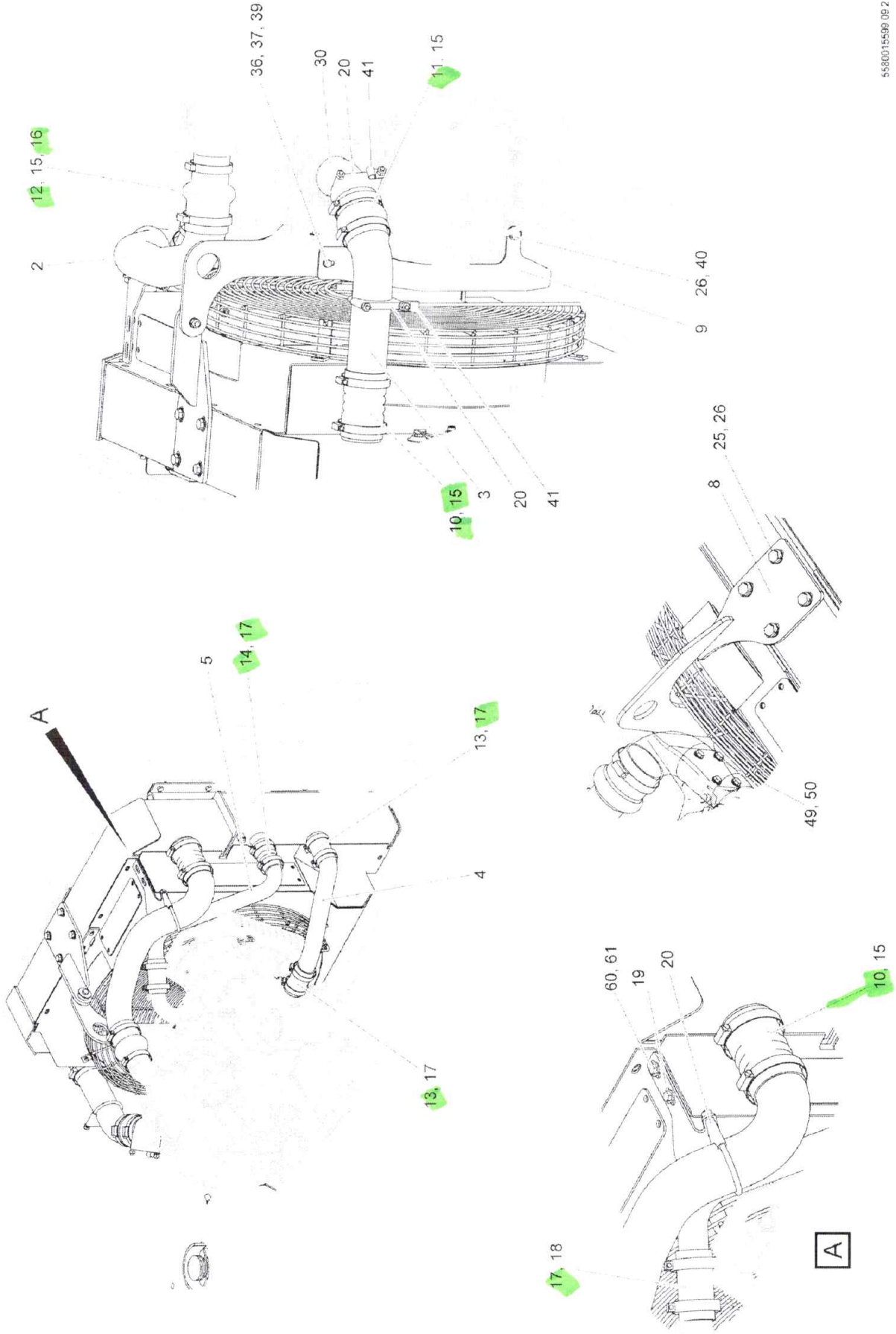
Elemento	N.º de pieza	Nombre	Cant.	Remarks	L	PageL ink
COMPLETE_ASSEMBLY	5580007866	FILTRO COMPL	1	FUEL FILTER W/ HEATER		
1	5580007693	BRIDA	1	COLLAR		
2	5580007694	CUBIERTA	1	B1 8 10 UNF 17,46 11/16 1		
3	5580007695	CUBIERTA	1	COVER ASSEMBLY		
4	6060008044	ELEM. FILTRANTE	1			
5	5580007696	JUEGO JUNT TORI	1	VENT CAP SEAL		
6	5580011074	SENSOR	1	WATER IN FILTER		
7	6060003137	APARTO-CALEFACC	1			
8	6060002238	VALV.-RETENCION	1			
9	6060003136	INTERRUPTOR	1			

UNIDAD MOTOR - ENGINE MODULE-TIER 3

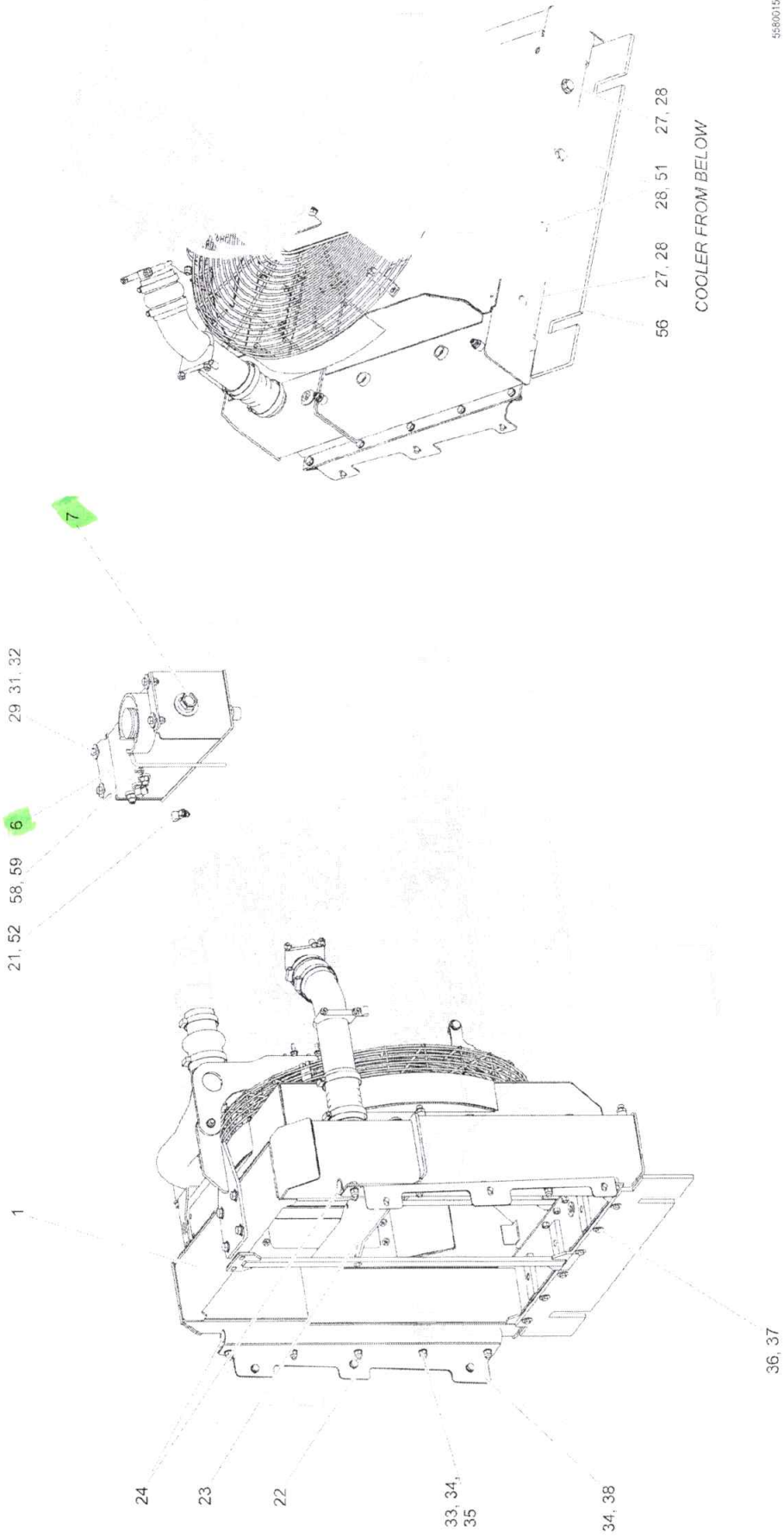


5596322855 03

Elemento	N.º de pieza	Nombre	Can t.	Remarks	L	Pag eLin k
COMPLETE_ASSEMBLY	-	UNIDAD MOTOR	1	ENGINE ASSY.		
1	5580014932	VENTILADOR	1			
2	5580015068	BASE DEL MOTOR	1	ENGINE CRADLE		
3	5580014728	MOTOR DIESEL	1			
4	5580010543	ACOPLA.DE BRIDA	1	FLANGE - RADIATOR		
5	5580101716	ESPACIADOR	1			
6	0301234400	ARANDELA REDOND	5	10,5 / 20 X 2 -HB 200 FZB		
7	5530810800	ARANDELA REDOND	12	WASHER-FLAT M12 HT PLTD		
8	0147137503	TORN.-CAB.-HEXA	4	M 10 X 90 - 8.8 FZB		
9	5540084300	TORN.-CAB.-HEXA	4	M12X35 10.9 FLZNNC-480H		
10	5540130700	TORN.-CAB.-HEXA	4	M12 X 45 - 10.9 FLZNNC		
11	5540163500	TORN.-CAB.-HEXA	4	A M12 50 30 7,5 18 10.9 -		
12	5580101733	BOMPA DE ENGRAN	1			
13	5580028357	SUJECION	1			
14	5580026974	SUJECION	1			
15	5580026975	EJE	1			
16	5580026976	POLEA	1			
17	3315019504	ARAN. DE BLOQUE	4	8,2/13,5 X 2,6 HRC50 FZB		
18	0147133203	SCREW HEX HEAD	4	M 8 X 60 - 8.8 FZB		
19	0147136003	TORN.-CAB.-HEXA	1	M 10 X 20 - 8.8 FZB		
20	5580010333	CORREA TRANSMIS	1	POLY V-BELT		



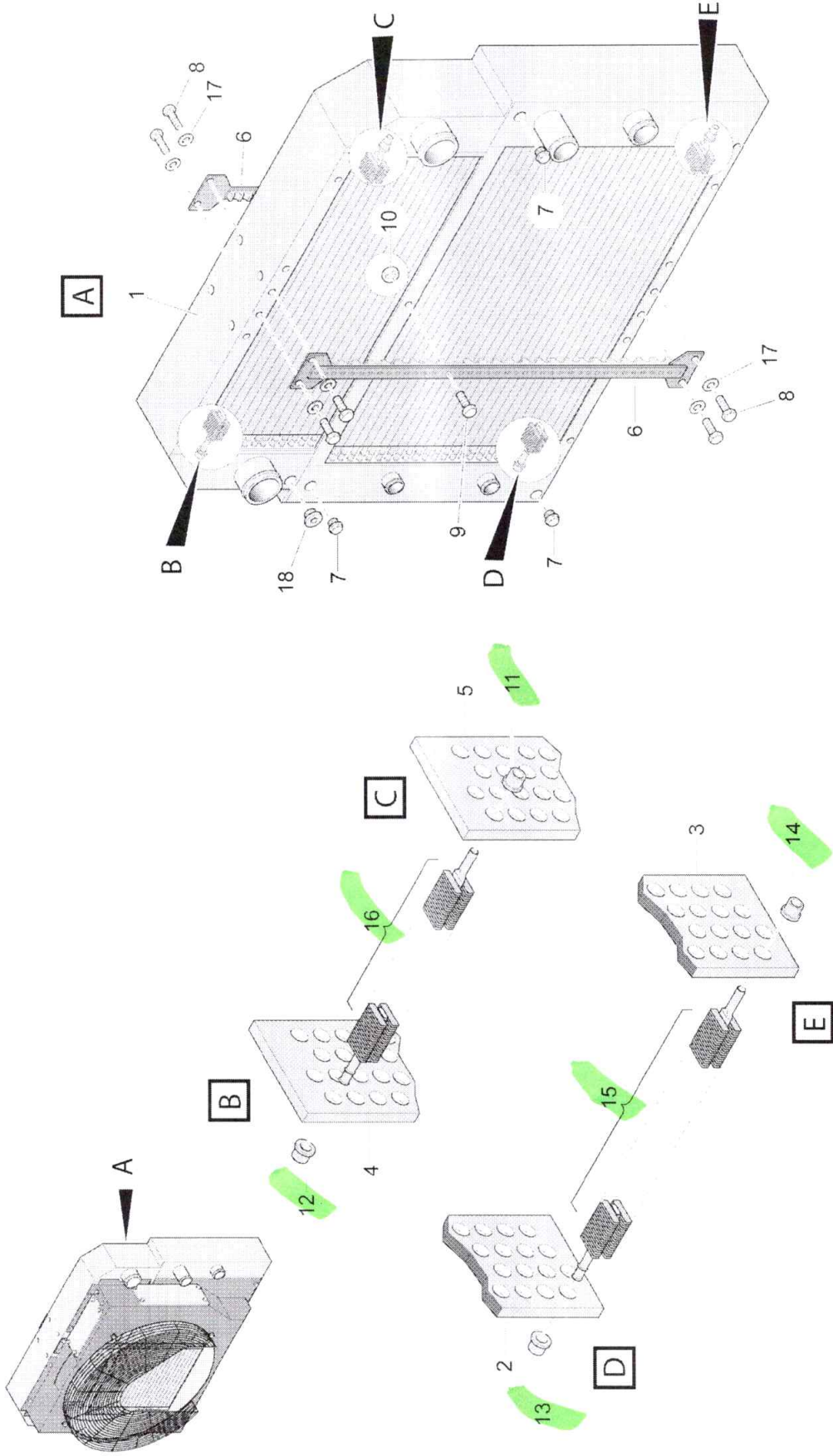
UNIDAD MOTOR - ENGINE MODULE-TIER 3



5580015299 11 1

Elemento	N.º de pieza	Nombre	Cant.	Remarks	L	PageL ink
COMPLETE_ASSEMBLY (Not Shown)	-	SISTEMA ENFRIAD	1	ENGINE COOLING ST2G TIER 3		
1	5580014721	RADIADOR	1			
2	5580015830	EAC TUBO	1			
3	5580015831	EAC TUBO	1			
4	5580015783	RADIADOR TUBO	1			
5	5580015782	RADIADOR TUBO	1			
6	5575631200	TANQUE EXPANSIO	1	SURGETANK WELDMENT		
7	5534555100	INDICADOR NIVEL	1	SIGHT GAUGE		
8	5580101689	SUJEC RADIADOR	1			
9	5580101765	PROTECC CORREA	1			
10	5580009314	MANGUERA	2	3" 4.5" 3 STEEL		
11	5580006591	GOMA	1	SILICONE CONNECTOR D76		
12	5580017303	MANGUERA	1			
13	5580006590	GOMA	2	STRAIGHT CONNECTOR D51		
14	3222330831	MANGUITO	1			
15	5580011291	ABRAZ.-MANGUERA	7	3" SPRING LOAD		
16	5580017396	ABRAZ.-MANGUERA	1			
17	0347610019	ABRAZ.-MANGUERA	8	B 45 67 15,8 - - - -		
18	5580006589	GOMA	1	STRAIGHT CONNECTOR D45		
19	5580101800	SOPORTE	1			
20	5112243500	GRAPA	3	3"		
21	5535101600	ABRAZADERA	1	CLAMP-HOSE (1.062 ID)		
22	5580010111	PROTEC TERMICA	1			
23	5580010112	PROTEC TERMICA	1			

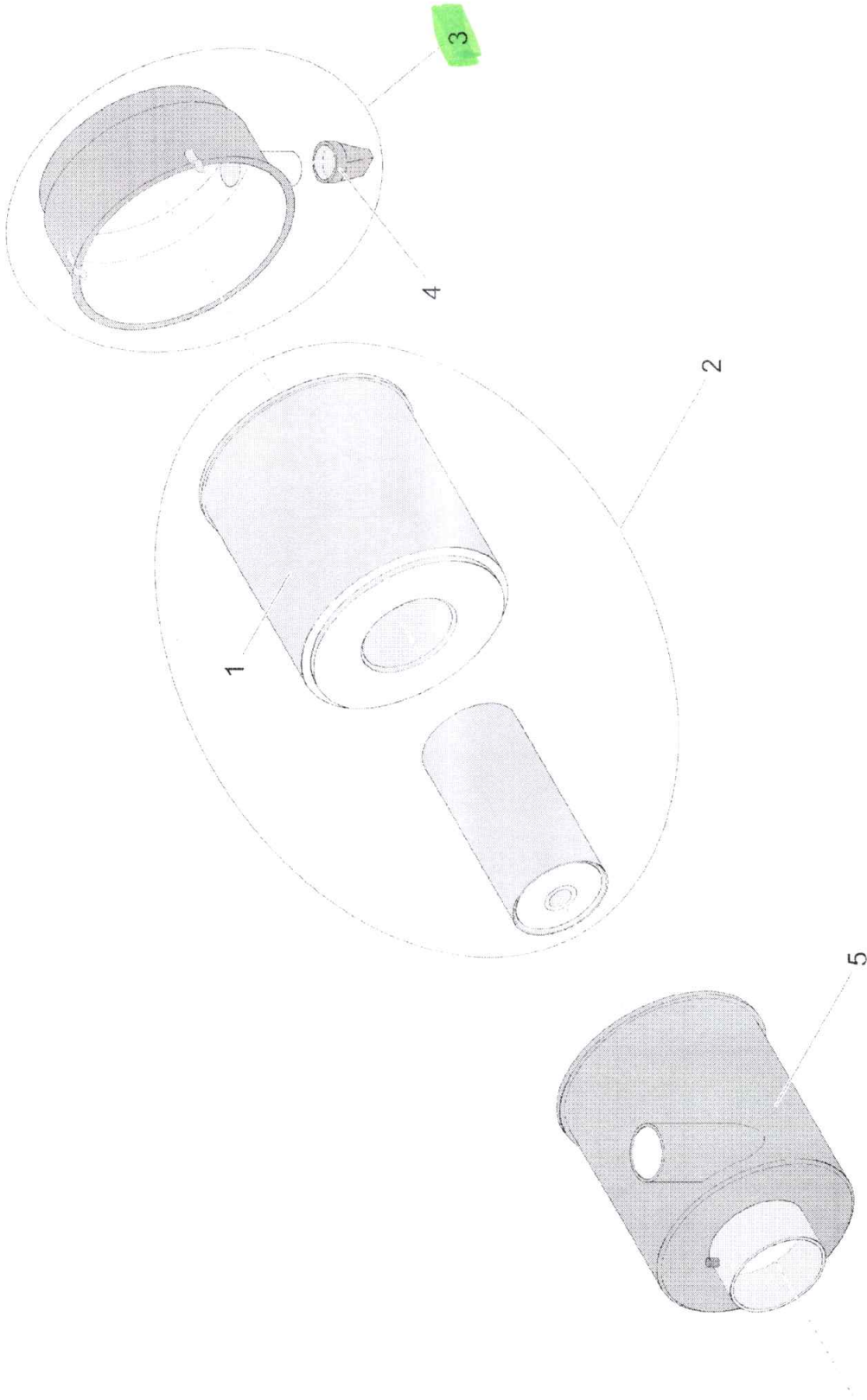
UNIDAD MOTOR - ENGINE MODULE-TIER 3



1250 0251 47

Elemento	N.º de pieza	Nombre	Cant.	Remarks	L	PageL ink
COMPLETE_ASSEMBLY	5580019770	RADIADOR	1			
1	5580019774	RADIADOR	1			
2	5541968800	CHAPA DESVIAD	1			
3	5541968900	CHAPA DESVIAD	1			
4	5580019775	BRIDA ENFRIADOR	1			
5	5580010137	DEFLECTOR	1			
6	5580019776	APOYO	2			
7	5540434500	TAPON	3			
8	5590000182	TORNILLO	8			
9	5580019777	ARANDELA	2			
10	5580019778	TUERCA	2			
11	5537428000	FIJADOR	48	GROMMET BTM, RUBBER SEAL		
12	5537427900	CIERRE	48	GROMMET TOP		
13	5590000183	CIERRE	88	RADIATOR		
14	5590000184	CIERRE	88	RUBBER SEAL, LOCKING GROOVE		
15	55800009732	TUBO	88	TUBES, V-FIN/ITS		
16	5580019779	TUBO	48			
17	5537641000	ARANDELA	8			
18	5580019780	TAPON	1			

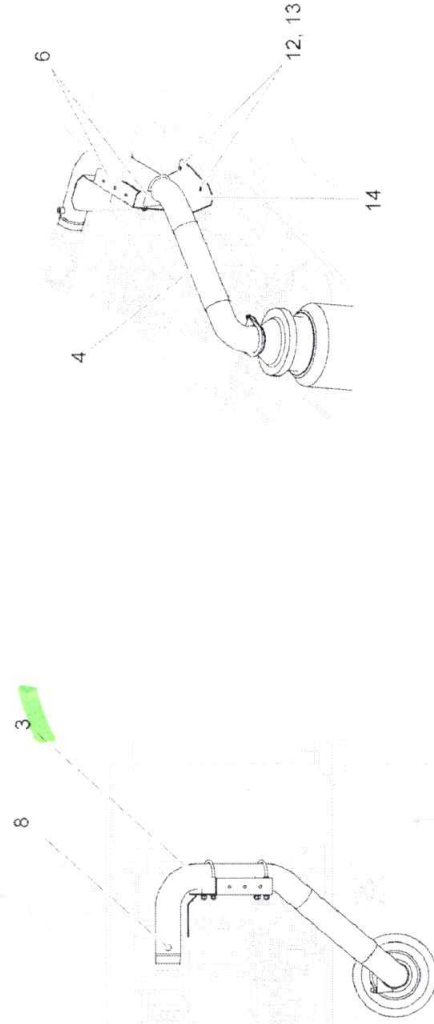
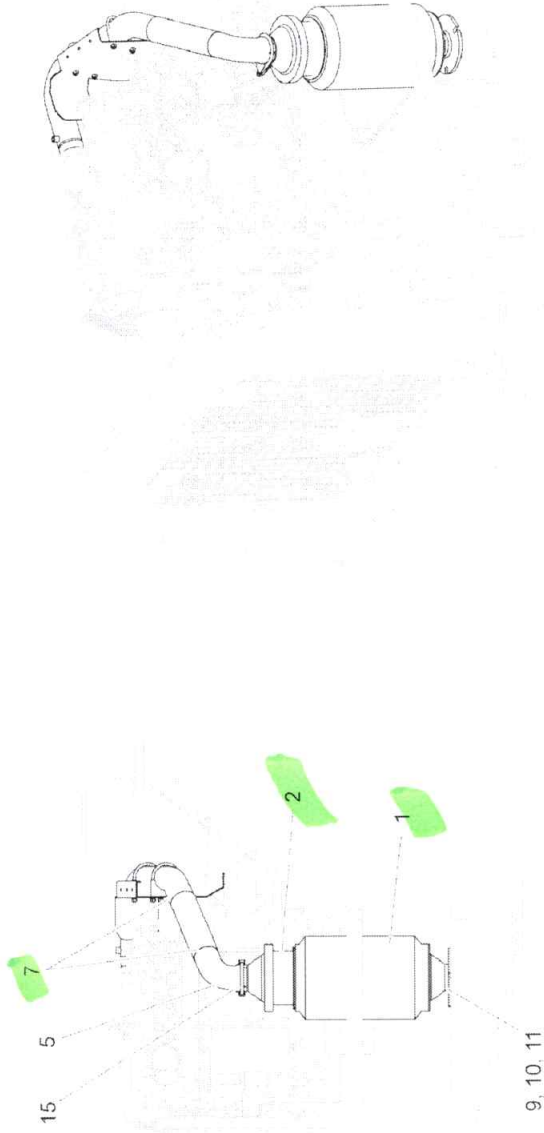
INS. FILT. AIRE - AIR FILTER INSTALLATION



1250 0214 42

Elemento	N.º de pieza	Nombre	Cant.	Remarks	L	PageL ink
COMPLETE_ASSEMBLY	3222188130	FILTRO DE AIRE	1	BLUE AERO		
1	3222188131	FILTRO DE AIRE	1	PRIMARY AIR FILTER		
2	3222188132	JUEGO DE FILTR.	1	BLUE AERO SAFETY + MAIN ELEMENT		
3	3222188133	TAPA	1			
4	3222188194	PROTECTOR POLVO	1			
5	-	CAJA DE FILTRO	1			

SILENCIAD COMP - EXHAUST ASSY

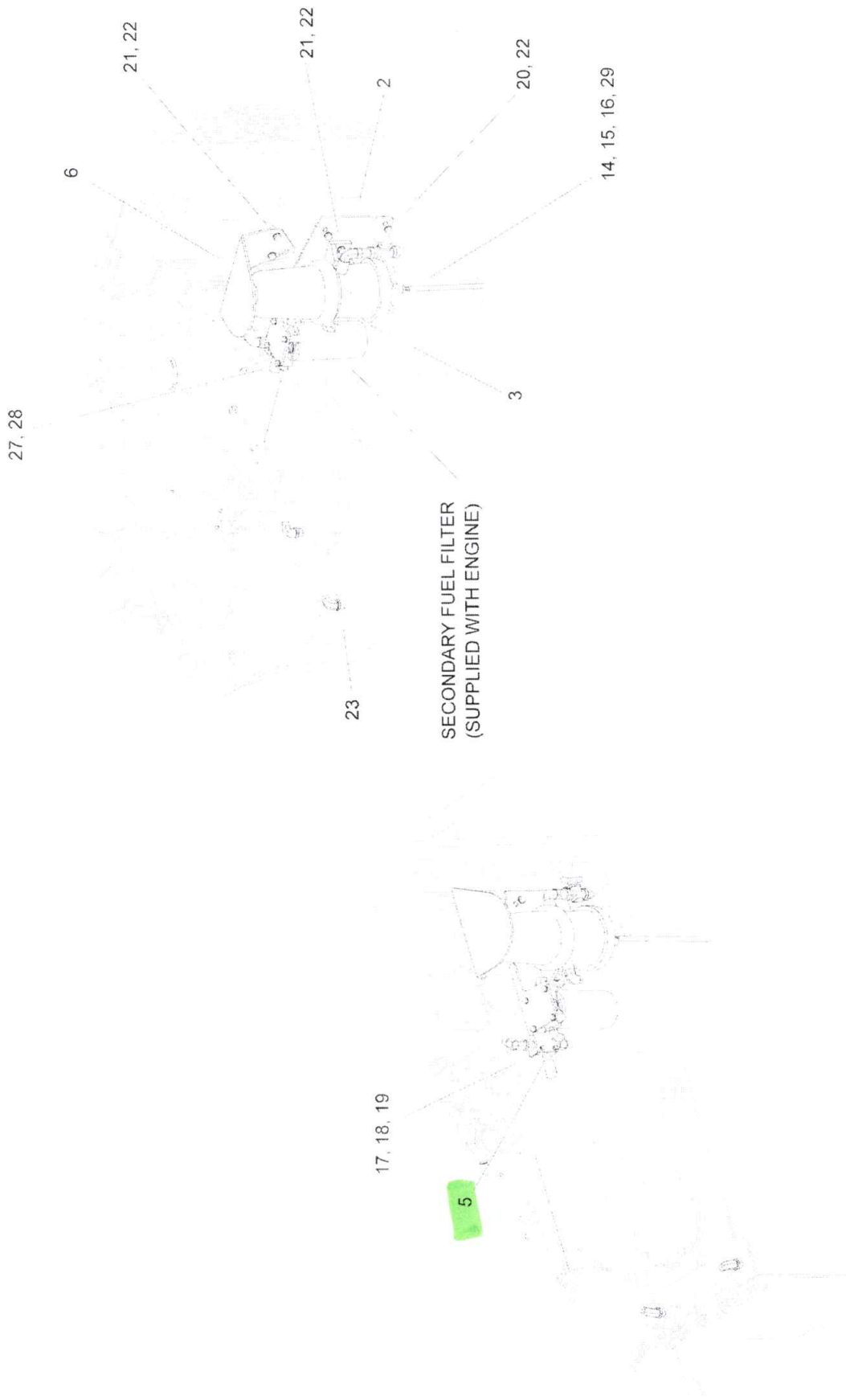


5560015965 03

Refer to the DocMine web page for most up-to-date information. The Printed information might be outdated.

Elemento	N.º de pieza	Nombre	Cant.	Remarks	L	PageL ink
COMPLETE_ASSEMBLY	-	SILENCIAD COMP	1	EXHAUST ASSY		
1	5541609400	SILENCIADOR	1	SILENCER-7DMXS-II		
2	5672223100	CATALIZADOR	1			
3	5580015898	TUBO DE ESCAPE	1			
4	5560524100	TUBO	1	TUBE-FLEX SS 3"ID X 10.5		
5	5580102041	TUBO DE ESCAPE	1			
6	5112243500	GRAPA	2	3"		
7	5535117000	ABRAZADERA	2	SEAL CLAMP EXHAUST 3"		
8	5530868700	TAPON	1	PLUG-1/8NPT HEX HD.(BRASS		
9	0144329003	SCREW HEX HEAD	3	UNC 3/8 X 38 - 8.8 FZB, HHCS, M10-1.50 X 35MM LG.		
10	5531012800	TUERCA DE APRI.	3	NUT-OVALOK 3/8 NC GR.C		
11	5559923200	ARANDELA	6	3/8 HT, 3/8 HT		
12	0147136203	TORN.-CAB.-HEXA	2	M 10 X 25 - 8.8 FZB		
13	0301234400	ARANDELA REDOND	2	10,5 / 20 X 2 -HB 200 FZB		
14	5580016879	PROTEC TERMICA	1			
15	0346290008	ABRAZ. DE TUBO	1	P 85 M 8 116 - 92 - - 001		

SIST.-COMBUSTIB - FILTER INSTALLATION



Elemento	N.º de pieza	Nombre	Cant.	Remarks	L	PageL ink
COMPLETE_ASSEMBLY	-	SIST.-COMBUSTIB	1	FILTER INSTALLATION		
1	-	JUEGO DE MANGU.	1	POS 101-106		
2	5580025687	CHAPA	1			
3	5580007866	FILTRO COMPL	1	FUEL FILTER W/ HEATER		
5	3222311521	BOMBA DE MANO	1			
6	5580101745	PROTECTOR	1			
7	0570702535	BOQUILLA	1	A 8 10 5/16 3/8 UNF 11/16		
8	8202030303	VALVULA DE BOLA	1	BAL 15-G1/2		
9	5500757800	BOQUILLA	1	ELBOW-90 (ORS/PIPE)		
10	5500216900	BOQUILLA	1	ELBOW-90 (ORS/PIPE)		
11	0570705701	BOQUILLA REDUCT	2	B 12 - 1/2 - UNF 11/16-16		
12	0570702549	*	1	D1 ? ? UN 13/16-16 M 18X1		
13	0570704158	BOQUILLA CODO	1	D1 12 - 1/2 - UNF 13/16-1		
14	3455045705	CASQUILLO	1	A NPTF 1/2-14 - NPTF 1/4-		
15	5580000937	MANGUERA	1	HOSE-BULK		
16	5536385800	ABRAZADERA	1	CLAMP-WORM GEAR (1/4 TO 5/8)		
17	0147125403	Screw	2	M 6 X 50 - 8.8 FZB		
18	0301232100	ARANDELA REDOND	4	6,4 / 12 X 1,6 -HB200 FZB		
19	0291112815	TUERCA DE APRI.	2	M6 - 8 FZB / ISO 7040		
20	0147136703	TORN.-CAB.-HEXA	3	M 10 X 50 - 8.8 FZB		
21	0147136303	TORN.-CAB.-HEXA	4	M 10 X 30 - 8.8 FZB		
22	0301234400	ARANDELA REDOND	7	10,5 / 20 X 2 -HB 200 FZB		
23	0570704116	BOQUILLA CODO	2	B1 8 10 UNF 17,46 11/16 1, B1 8 10 UNF 17,46 11/16 1		
24	0570704162	BOQUILLA CODO	2	C1 8 - 3/8 - UNF 11/16-16		
25	0570702557	BOQUILLA	4	C 8 10 5/16 3/8 UNF 11/16		

Refer to the DocMine web page for most up-to-date information. The Printed information might be outdated.