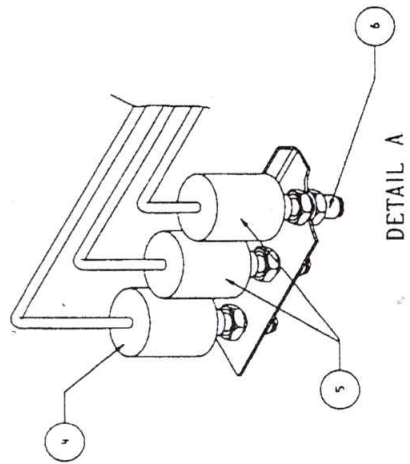
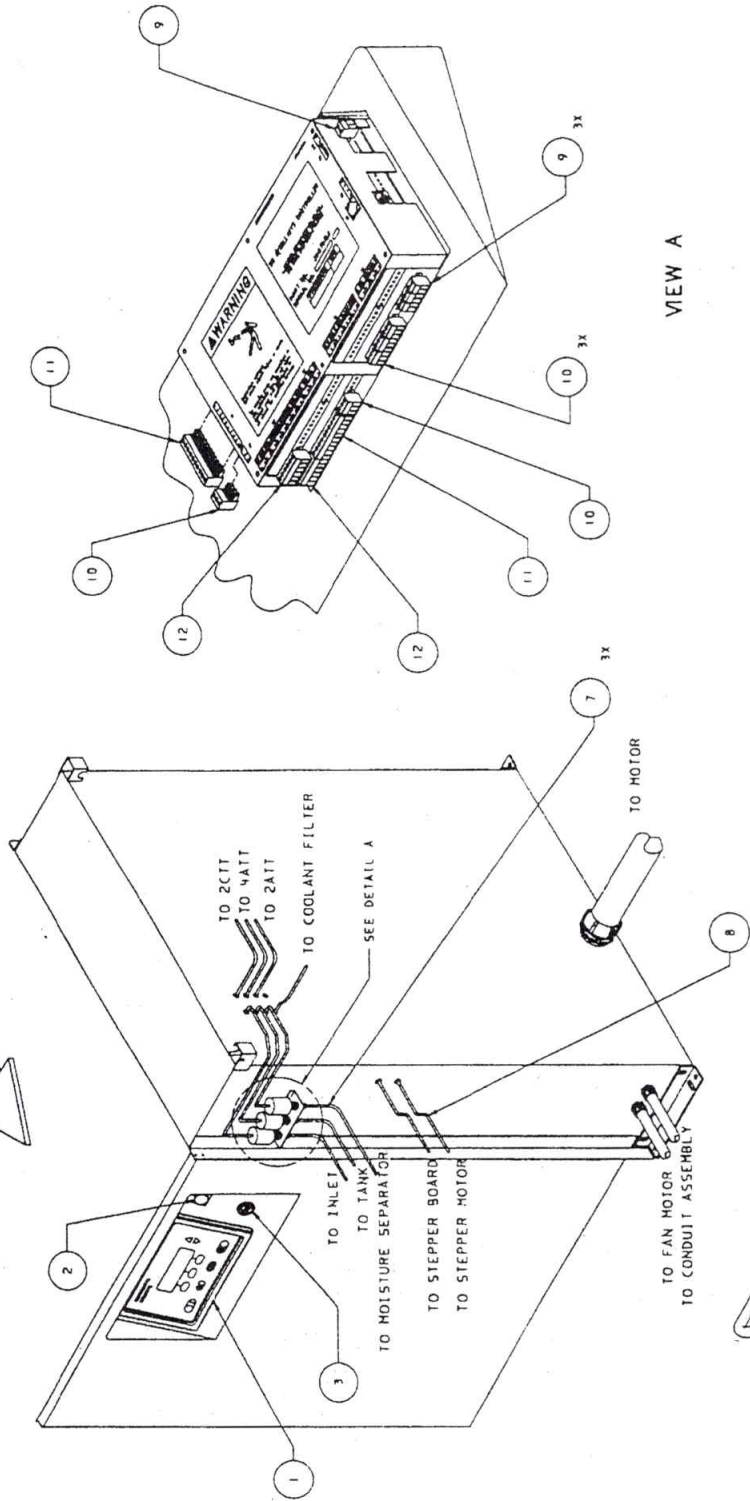


39879267

REV 02

SEE VIEW A



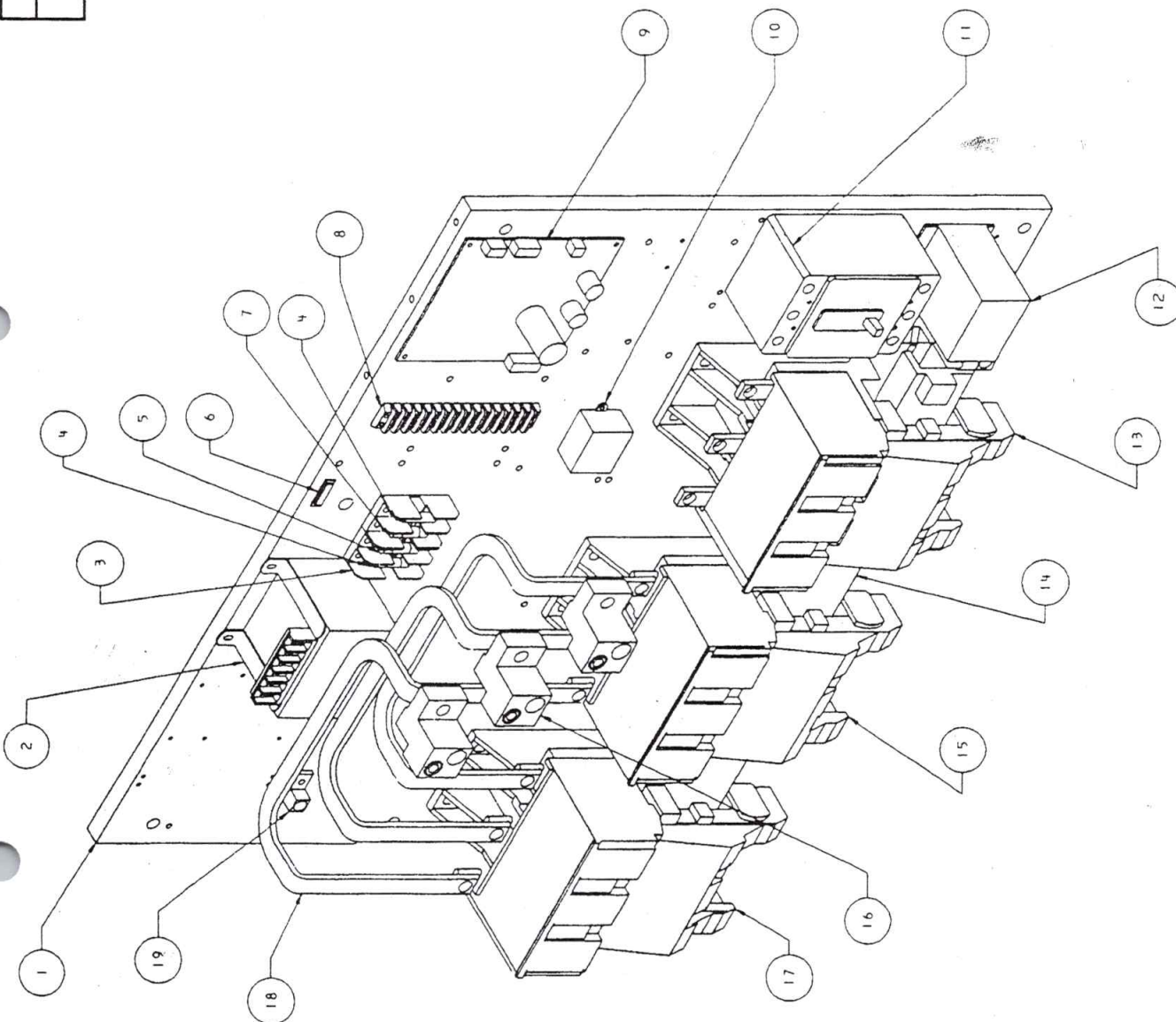
INTELLISYS CONTROLLER AND STARTER BOX ASSEMBLY

| REF. NO. | PART NUMBER | QTY. | DESCRIPTION                                  |
|----------|-------------|------|--|
| 1        | 39875158    | 1    | ASSEMBLY, INTELLISYS CONTROLLER              |
| 1A       | 39874375    | 1    | GASKET                                       |
| 1B       | 39128988    | 6    | SCREW  |
| 1C       | 95379392    | 6    | WASHER, STAR                                 |
| 2        | 39485032    | 1    | LIGHT, AMBER COMPLETE                        |
| 2A       | 39485024    | 1    | BULB, 24V                                    |
| 3        | 39549167    | 1    | SWITCH, EMERGENCY STOP                       |
| 4        | 39883137    | 1    | TRANSDUCER, 0-15 PSIG                        |
| 5        | 39883186    | 2    | TRANSDUCER, 0-225 PSIG                       |
| 6        | 39461868    | 3    | BULKHEAD CONNECTOR (FOR MOUNTING TRANSDUCER) |
| 6A       | 95922761    | 3    | WASHER, STAR                                 |
| 7        | 39124813    | 1    | NYLON, TUBE                                  |
| 8        | 39476221    | 1    | CABLE, STEPPER MOTOR                         |
| 9        | 39242367    | 4    | PLUG, 2 POSITION                             |
| 10       | 39204441    | 5    | PLUG, 3 POSITION                             |
| 11       | 39242375    | 2    | PLUG, 10 POSITION                            |
| 12       | 39186093    | 2    | PLUG, 6 POSITION                             |

\*ORDER PER NUMBER OF INCHES REQUIRED

39878756

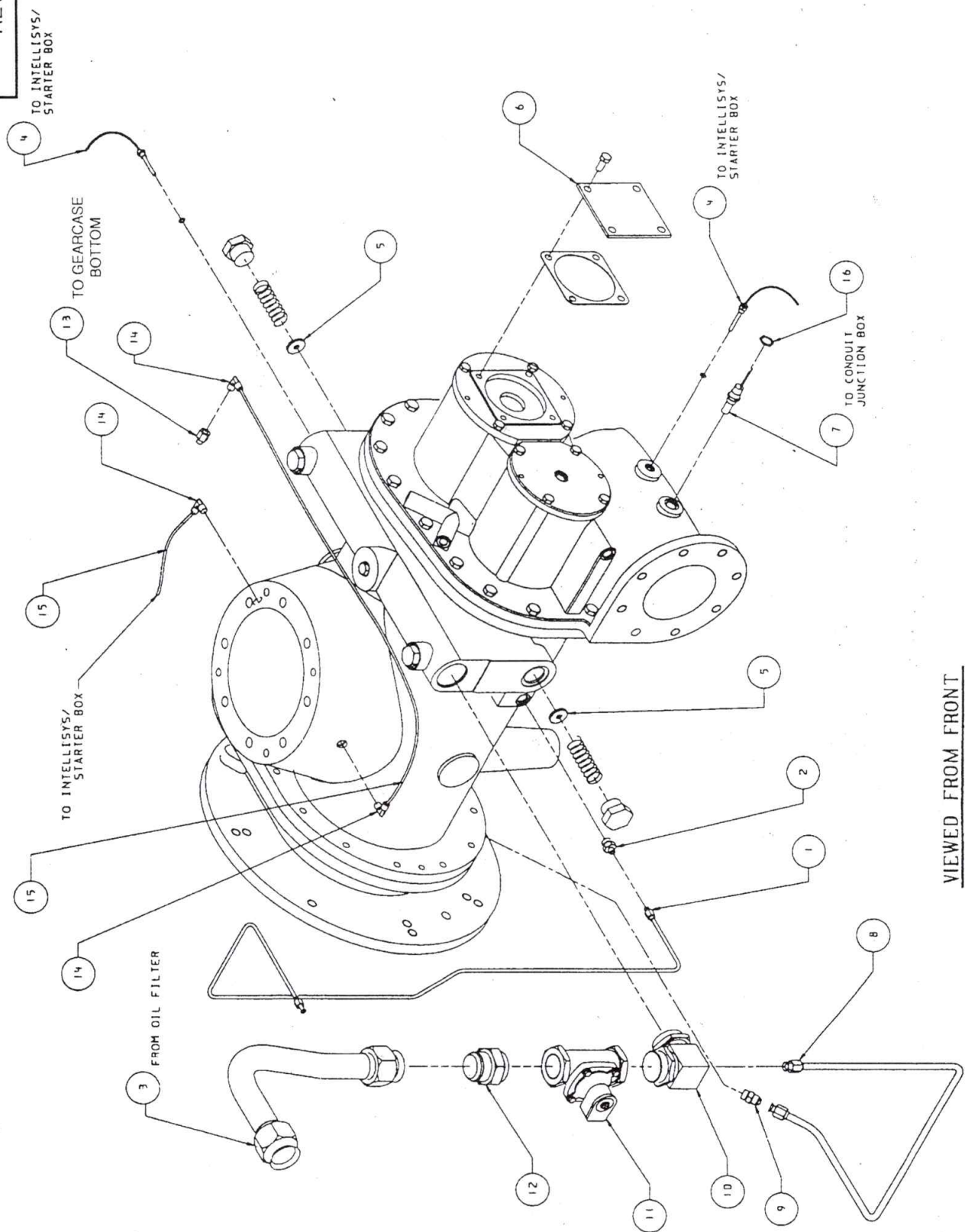
REV 02



STARTER ASSEMBLY SIZE 5 STAR DELTA

| REF. NO. | PART NUMBER         | QTY. | DESCRIPTION  | REF. NO. | PART NUMBER | QTY. | DESCRIPTION  |
|----------|---------------------|------|--|----------|-------------|------|--|
| 1        | 39878749            | 1    | BACK PANEL   |          | 391197694   | 1    | FDB THERMAL-MAGNETIC CIRCUIT BREAKER (1CB) 15 AMP                      |
| 2        | 39475983            | 1    | CONTROL TRANSFORMER, 200, 230, 460, 575V, 60HZ (580 VA)  |          | 39232301    | 1    | FDB THERMAL-MAGNETIC CIRCUIT BREAKER (1CB) 25 AMP OVERLOAD RELAY (2OL) |
|          | 39320965            | 1    | CONTROL TRANSFORMER, 380, 415, 550V 50 HZ (625 VA)       | 12       | 39123419    | 1    | 1S CONTACTOR ASSEMBLY.   |
|          | 39318118            | 1    | CONTROL TRANSFORMER 380, 415, 550V 50HZ (580 VA)         | 13       | 39203427    | 1    | COIL 50/60HZ   |
|          | 39320957            | 1    | CONTROL TRANSFORMER, 200, 230, 460, 575V, 60 HZ (625 VA) | 13A      | 39109269    | 1    | CONTACTS -3 POLE   |
|          | 39485800            | 1    | CONTROL TRANSFORMER 380V 60HZ 220V 50HZ (580 VA)         | 13B      | 39109236    | 3    | INTERLOCK SWITCH (N.O.-N.C.)   |
|          | 35252279            | 4    | SCREW  | 13C      | 39109244    | 2    | ARC SUPPRESSOR   |
| 2A       | 39480504            | 2    | FUSE BLOCK   | 13D      | 39203443    | 2    | MECHANICAL INTERLOCK   |
| 3        | 35249721            | 2    | SCREW  | 14       | 39120373    | 1    | 2M CONTACTOR ASSEMBLY  |
| 3A       | 35249721            | 2    | SCREW  | 15       | 39179270    | 1    | COIL 50/60HZ   |
| 4        | <del>39178736</del> | 2    | PRIMARY FUSE 600V, 3.5 AMP                               | 15A      | 39109269    | 1    | CONTACTS -3 POLE   |
| 5        | <del>39118484</del> | 1    | SECONDARY FUSE 250V, 5 AMP                               | 15B      | 39109236    | 3    | INTERLOCK SWITCH (N.O.-N.C.)   |
| 6        | 39196225            | 1    | LIGHT, POWER ON  | 15C      | 39109244    | 1    | LUG, LINE SIDE   |
| 7        | 39242458            | 1    | SECONDARY FUSE 600V, BBS-5 AMP (250-300 HP)              | 16       | 39202007    | 3    | BOLT   |
|          | <del>39245188</del> | 1    | SECONDARY FUSE 250V, BBS-6 AMP (300E-450 HP)             | 16A      | 95934451    | 3    | WASHER   |
| 8        | 35267202            | 1    | BLOCK, 14 - TERMINAL                                     | 16B      | 95943676    | 6    | LOCKWASHER   |
| 8A       | 35249721            | 4    | SCREW  | 16C      | 95940581    | 3    | NUT  |
| 9        | <del>39874425</del> | 1    | POWER SUPPLY BOARD                                       | 16D      | 95922902    | 3    | 1M STARTER ASSEMBLY  |
| 9A       | 39173810            | 4    | STANDOFF   | 17       | 39164389    | 1    | COIL 50/60HZ   |
| 9B       | 95929022            | 4    | WASHER   | 17A      | 39109269    | 1    | CONTACTS -3 POLE   |
| 9C       | 39129994            | 4    | SCREW  | 17B      | 39109236    | 3    | INTERLOCK SWITCH (N.O.-N.C.)   |
| 9D       | 39242367            | 1    | SCREW  | 17C      | 39109244    | 1    | INTERLOCK SWITCH (N.O.-N.O.)   |
| 9E       | 39204441            | 1    | PLUG, 2 POSITION   | 17D      | 39109277    | 1    | ARC SUPPRESSOR   |
| 9F       | 39186101            | 1    | PLUG, 3 POSITION   | 17E      | 39203443    | 1    | OVERLOAD RELAY (1OL)   |
| 9G       | 39191630            | 1    | PLUG, 4 POSITION   | 17F      | 39123419    | 1    | BUSS BAR SET   |
| 10       | 39201918            | 1    | PLUG, 5 POSITION   | 18       | 39202015    | 1    | GROUND LUG   |
| 10A      | 35249721            | 2    | POWER FILTER   | 19       | 39190939    | 1    | BOLT, GROUND LUG   |
| 11       | 39197702            | 1    | FDB THERMAL-MAGNETIC CIRCUIT BREAKER (1CB) 45 AMP        | 19A      | 39141809    | 1    | NUT, GROUND LUG  |
|          |                     |      |  | 19B      | 39128541    | 1    | TERMINAL BLOCK (NOT SHOWN)   |

|          |
|----------|
| 39823414 |
| REV 04   |



350 - 450 HP AIREND PIPING ASSEMBLY - NO OIL PUMP

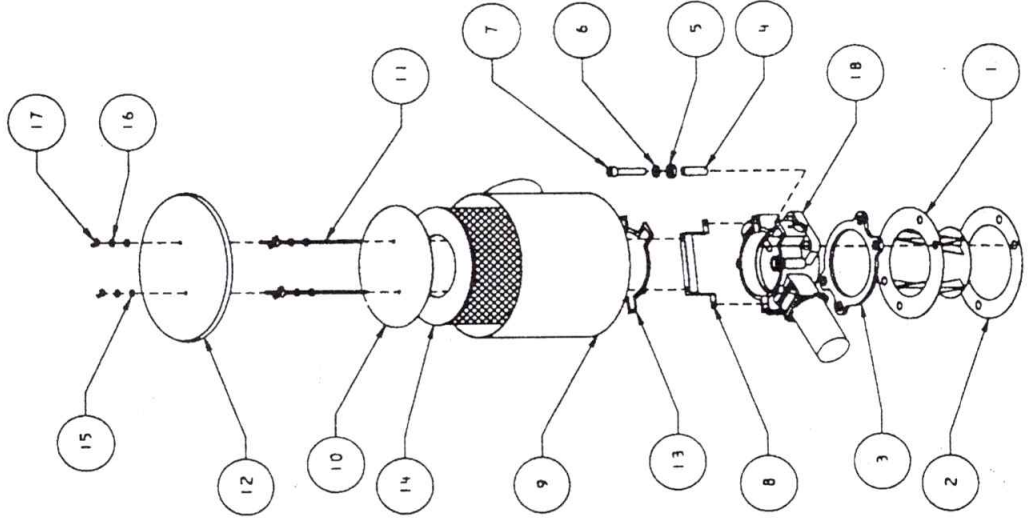
| REF. NO. | PART NUMBER         | QTY. | DESCRIPTION                                  |
|----------|---------------------|------|--|
| 1        | 39841515            | 1    | TUBE, SCAVENGE CONNECTOR                     |
| 2        | 39477054            | 1    | TUBE, MAIN OIL FEED                          |
| 3        | 39494240            | 1    | SENSOR, TEMPERATURE                          |
| 4        | <del>39500628</del> | 2    | O-RING                                       |
| 4A       | 39404157            | 2    | ORIFICE 10MM (350 HP)                        |
| 5        | 39496310            | 2    | ORIFICE 16MM (400 HP & 450 HP AIRCOOLED)     |
|          | 39484456            | 2    | ORIFICE 12.7MM (400 HP & 450 HP WATERCOOLED) |
|          | 39482906            | 2    | PLATE, COVER                                 |
| 6        | 35293018            | 1    | GASKET                                       |
| 6A       | 35516947            | 1    | BOLT   |
| 6B       | 96702311            | 4    | SWITCH, AIR TEMPERATURE                      |
| 7        | 39419668            | 1    | O-RING                                       |
| 7A       | 39404165            | 1    | TUBE, FRONT BEARING FEED                     |
| 8        | 39811419            | 1    | CONNECTOR                                    |
| 9        | 95938122            | 1    | MANIFOLD, OIL INJECTION                      |
| 10       | 39486949            | 1    | VALVE, OIL STOP (NEMA 1)                     |
| 11       | 39318217            | 1    | VALVE, OIL STOP (NEMA 4)                     |
|          | 39318258            | 1    | CONNECTOR                                    |
| 12       | 39128632            | 1    | ORIFICE, .063                                |
| 13       | 37081528            | 1    | ELBOW  |
| 14       | 39155478            | 3    | TUBING, NYLON                                |
| 15       | 39124813            | x    | LOCKNUT                                      |
| 16       | 39114079            | 1    |  |

NOTE: 1. STANDARD FASTENERS SUCH AS NUTS, BOLTS AND SCREWS ARE LISTED AS SUB-ITEMS (EXAMPLE: 6B).

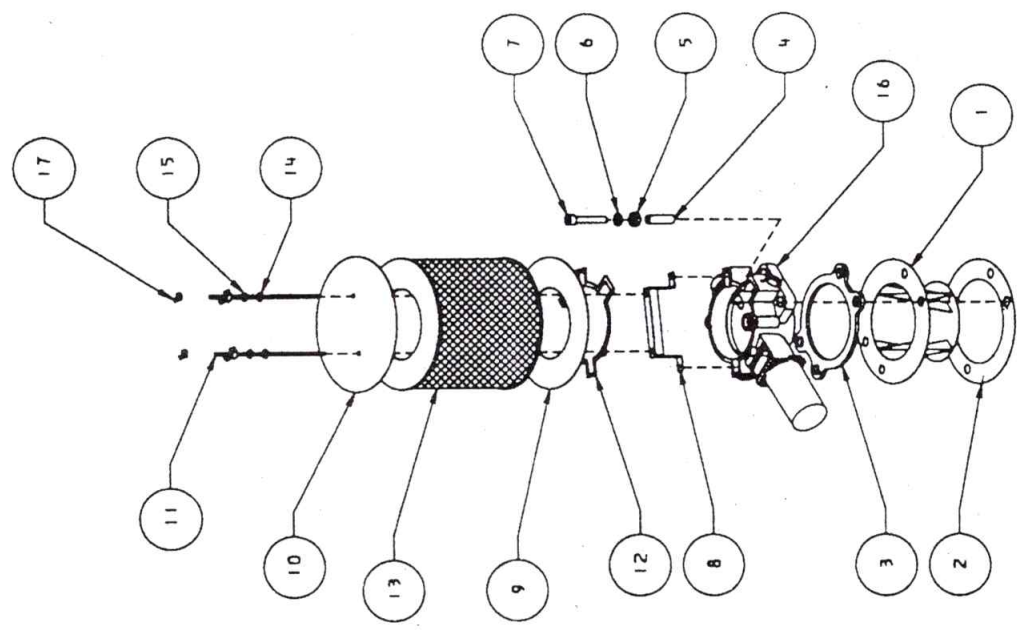
X - ORDER PER NUMBER OF INCHES REQUIRED.

39863469

REV 02



HOODED REMOTE INLET (OPTIONAL)



STANDARD INLET

300E & 350-450 HP 8 INCH INLET VALVE WITH AIR FILTER ASSEMBLY

HOODED REMOTE INLET (OPTIONAL)

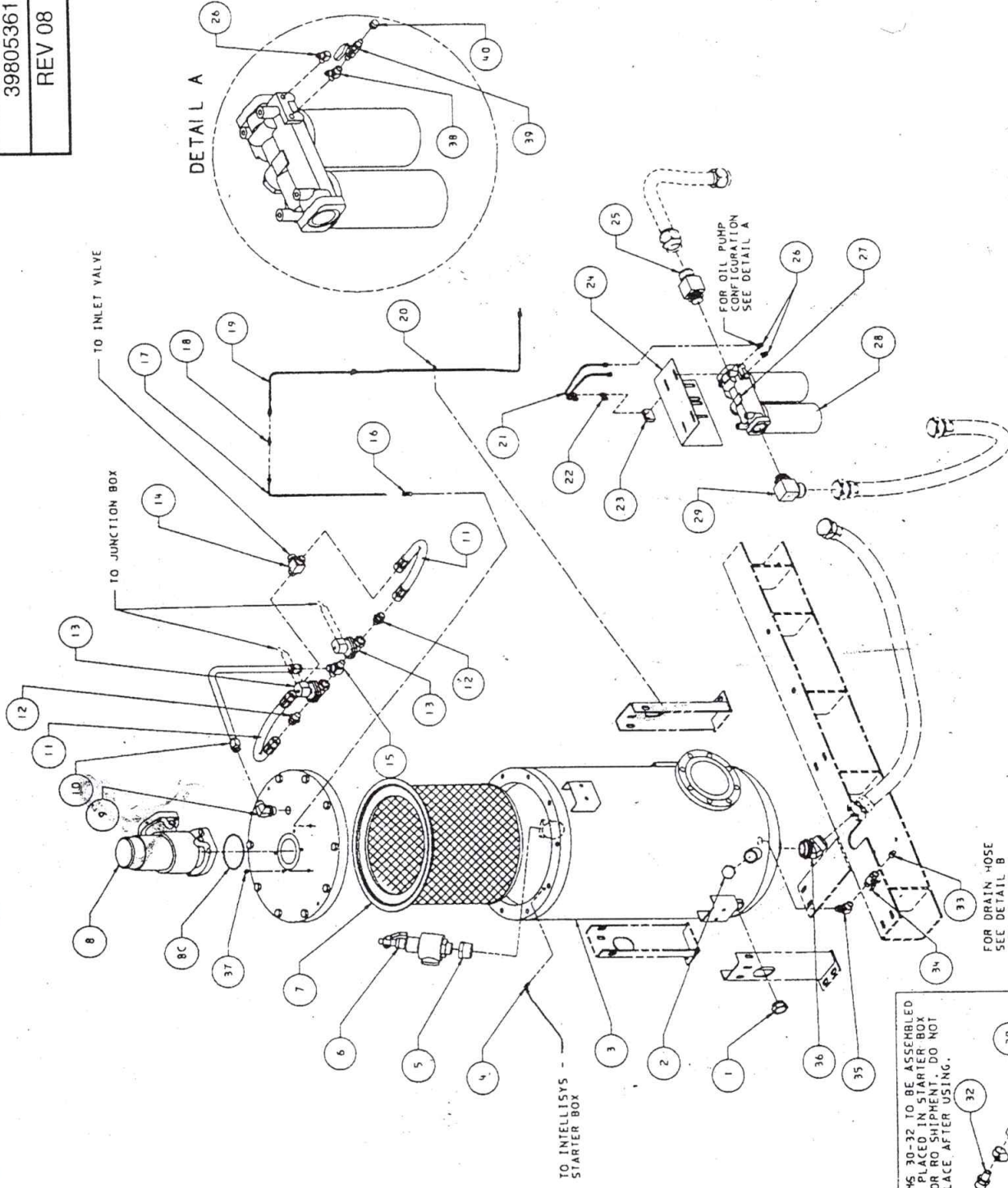
STANDARD INLET

| REF. NO. | PART NUMBER         | QTY. | DESCRIPTION                   | REF. NO. | PART NUMBER | QTY. | DESCRIPTION              |
|----------|---------------------|------|-------------------------------|----------|-------------|------|--------------------------|
| 1        | 39493747            | 1    | PLATE, INLET SPLASH           | 1        | 39493747    | 1    | PLATE, INLET SPLASH      |
| 2        | 39493796            | 1    | GASKET, INLET VALVE           | 2        | 39493796    | 1    | GASKET, INLET VALVE      |
| 3        | 39486956            | 1    | GASKET, 8.00 INLET VALVE      | 3        | 39486956    | 1    | GASKET, 8.00 INLET VALVE |
| 4        | 39495965            | 4    | SPACER, ISOLATION             | 4        | 39495965    | 4    | SPACER, ISOLATION        |
| 5        | 39483169            | 4    | GASKET, ISOLATION             | 5        | 39483169    | 4    | GASKET, ISOLATION        |
| 6        | 95081618            | 4    | WASHER                        | 6        | 95081618    | 4    | WASHER                   |
| 7        | 96715594            | 4    | BOLT                          | 7        | 96715594    | 4    | BOLT                     |
| 8        | 39854153            | 1    | BRACKET, AIR FILTER           | 8        | 39854153    | 1    | BRACKET, AIR FILTER      |
| 8A       | 39128467            | 2    | SCREW                         | 8A       | 39128467    | 2    | SCREW                    |
| 9        | 39571773            | 1    | PLATE, BOTTOM AIR FILTER      | 9        | 39863451    | 1    | HOOD, AIR FILTER         |
| 10       | 39575345            | 1    | PLATE, TOP AIR FILTER         | 10       | 39575345    | 1    | PLATE, TOP AIR FILTER    |
| 11       | 39854237            | 2    | SCREW, RETAINER               | 11       | 39854237    | 2    | SCREW, RETAINER          |
|          | 39311295            | 2    | SCREW, RETAINER               | 12       | 39854310    | 1    | PLATE, HOOD COVER        |
|          |                     |      | (HEAVY DUTY OPTION)           | 13       | 39305891    | 1    | GASKET, AIR FILTER       |
| 12       | <del>39305891</del> | 1    | GASKET, AIR FILTER            | 14       | 39750732    | 1    | ELEMENT, AIR FILTER      |
| 13       | 39750732            | 1    | ELEMENT, AIR FILTER           | 15       | 39195151    | 4    | WASHER, RUBBER SEALING   |
|          | 39873120            | 1    | ELEMENT, AIR FILTER           | 16       | 95933313    | 4    | WASHER, STEEL            |
|          |                     |      | (HEAVY DUTY OPTION)           | 17       | 95938775    | 2    | NUT, WING                |
| 14       | 39195151            | 2    | WASHER, RUBBER SEALING        | 18       | 42412155    | 1    | ASSEMBLY, INLET VALVE    |
| 15       | 95933313            | 2    | WASHER, STEEL                 |          |             |      |                          |
| 16       | 42412155            | 1    | ASSEMBLY, INLET VALVE         |          |             |      |                          |
| 17       | 95938775            | 2    | NUT, WING (HEAVY DUTY OPTION) |          |             |      |                          |



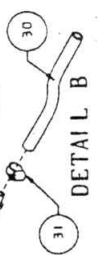
39805361

REV 08



VIEWED FROM FRONT

ITEMS 30-32 TO BE ASSEMBLED AND PLACED IN STARTER BOX PRIOR TO SHIPMENT DO NOT REPLACE AFTER USING.



350 - 450 HP SEPARTOR TANK ASSEMBLY

| REF. NO. | PART NO. | QTY. | DESCRIPTION                            | REF. NO. | PART NO. | QTY. | DESCRIPTION                    |
|----------|----------|------|--|----------|----------|------|--------------------------------|
| 1        | 39476916 | 1    | SIGHT GLASS                            | 20       | 39195078 | 1    | CLIP, TUBE                     |
| 1A       | 39406996 | 1    | O-RING, SIGHT GLASS                    | 20A      | 39133145 | 1    | SCREW                          |
| 2        | 39478953 | 1    | PLUG, OIL FILL                         | 21       | 39545942 | 2    | TUBE, OIL DELTA P              |
| 3        | 42373399 | 1    | TANK, SEPARATOR (ASME/CANADIAN)        | 22       | 95937579 | 2    | CONNECTOR                      |
| 4        | 42406058 | 1    | TANK, SEPARATOR (AUSTRALIAN)           | 23       | 39158233 | 1    | SWITCH, OIL DELTA P            |
| 4A       | 39155478 | 1    | ELBOW, SUMP PRESSURE                   | 24       | 39178827 | 2    | SCREW                          |
| 5        | 39124813 | x    | TUBING, NYLON                          | 24A      | 39798004 | 1    | SUPPORT, OIL FILTER            |
| 6        | 39180716 | 1    | BUSHING                                | 25       | 39128509 | 2    | SCREW, SUPPORT TO TANK         |
| 7        | 39225263 | 1    | VALVE, PRESSURE RELIEF                 | 26       | 39481486 | 1    | CONNECTOR, OIL FILTER OUT      |
| 8        | 39863881 | 1    | <del>ELEMENT SEPARATOR</del> 80 15 689 | 27       | 95937686 | 2    | ELBOW, FILTER DELTA P          |
| 8A       | 39801253 | 1    | VALVE, MINIMUM PRESSURE CHECK          | 27A      | 39797220 | 1    | FILTER, OIL                    |
| 8B       | 39179403 | 4    | STUD                                   | 28       | 39128467 | 4    | SCREW, FILTER TO BRACKET       |
| 8C       | 95423687 | 4    | NUT                                    | 29       | 39796982 | 2    | OIL FILTER CARTRIDGE 80 15 687 |
| 9        | 39476981 | 1    | O-RING                                 | 29       | 39481460 | 1    | ELBOW, OIL FILTER IN           |
| 10       | 39801550 | 1    | ELBOW, TANK TO BLOWDOWN                | 30       | 39137518 | 1    | HOSE                           |
| 11       | 39572243 | 1    | TUBE, BLOWDOWN                         | 31       | 95220844 | 1    | CLAMP, HOSE                    |
| 12       | 95937538 | 2    | HOSE                                   | 32       | 39137542 | 1    | CONNECTOR                      |
| 13       | 39312897 | 2    | CONNECTOR                              | 33       | 95387361 | 1    | PLUG                           |
| 14       | 39312905 | 2    | VALVE, BLOWDOWN (NEMA I)               | 34       | 39105739 | 1    | VALVE, BALL (TANK DRAIN)       |
| 15       | 95947636 | 1    | TEE                                    | 35       | 39477526 | 1    | ELBOW, ( TANK DRAIN)           |
| 16       | 39499744 | 1    | TEE                                    | 36       | 39176128 | 1    | ELBOW 45' ( SUMP TANK OUT)     |
| 17       | 39871694 | 1    | ADAPTER, SCAVENGE TUBE                 | 37       | 39184510 | 1    | PLUG                           |
| 18       | 39303292 | 1    | TUBE, TANK SCAVENGE                    | 38       | 95939971 | 1    | TEE                            |
| 19       | 39841515 | 1    | ORIFICE, SCAVENGE                      | 39       | 39302039 | 1    | VALVE, BALL                    |
|          |          |      | TUBE, SCAVENGE                         | 40       | 95947230 | 1    | CAP                            |

NOTE: STANDARD FASTENERS SUCH AS NUTS, BOLTS, AND SCREWS, AND AUXILIARY COMPONENTS ARE LISTED AS SUB-ITEMS (EXAMPLE: 27A).

X - ORDER PER NUMBER OF INCHES REQUIRED.